

**SMVector frequency inverter: Remote Keypad**

The Remote Keypad option ESVZXX1 can only be used with **SMVector** Series Drives. The Remote Keypad allows operation of the drive from a remote location up to 100 ft (30 meters) from the drive. The Remote keypad is configured using Parameter P100 and duplicates the functionality of the drives local keypad as described in the SMVector Users Manual (SV01).

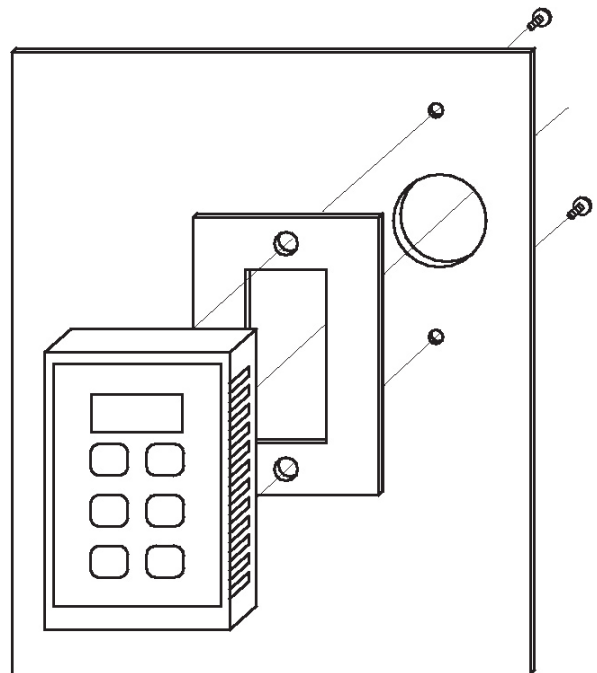
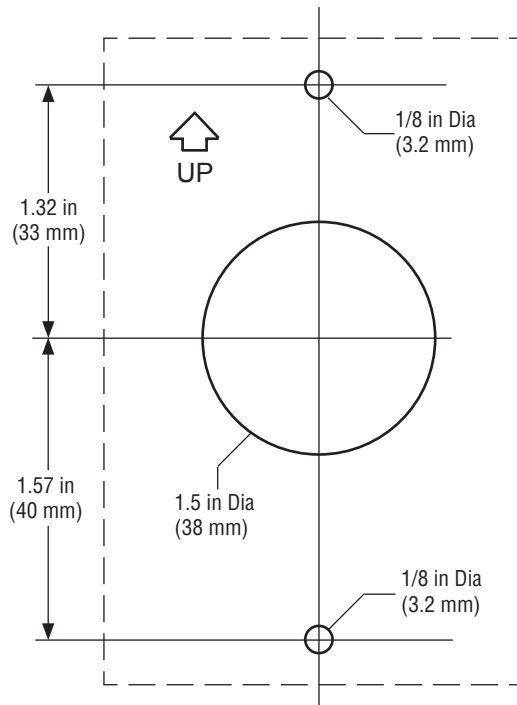


**WARNING!**

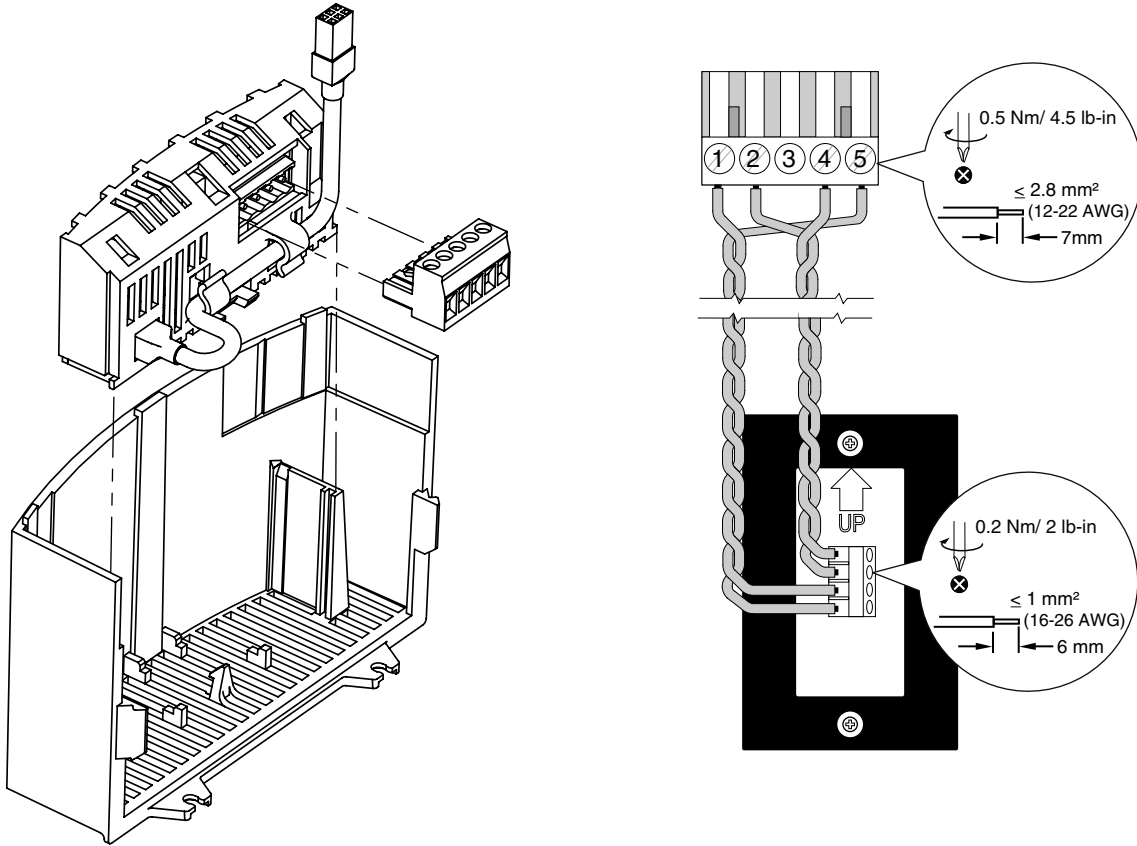
Improper wiring may result in damage to the Remote Keypad. Keep the remote keypad cable away from power wiring. Use Belden 9842, Carol C4842, or equivalent wire only.

The specified cables consist of two twisted pairs. Make sure one twisted pair is used for power and the other is used for serial communications. Do not mix connections between twisted pairs.

**Installation of Keypad**



## Installation of Keypad Interface



### Wiring Connections

Module Terminal	Description	Keypad Terminal
1	Keypad Power (-)	2
2	Communication (TXA)	TXA
3	No Connection	--
4	Communication (TXB)	TXB
5	Keypad Power (+)	11

