



Drive selection

Worm gearbox

Selection table Type SSN25

Ratio i	Perm. axial load F_a [N]	Perm. radial load F_r [N]	$M_{max.}$ [Nm]	Efficiency	Gearbox	Weight [approx. kg]
5	50	63(DCR,VCR) 80(VCL)	7	0.81	SSN25	0.4
8			7.5	0.76		
10			8	0.72		
15			7.5	0.64		
20			8	0.58		
30			7.5	0.48		
40			7	0.43		
50			6	0.36		
60			5.6	0.33		

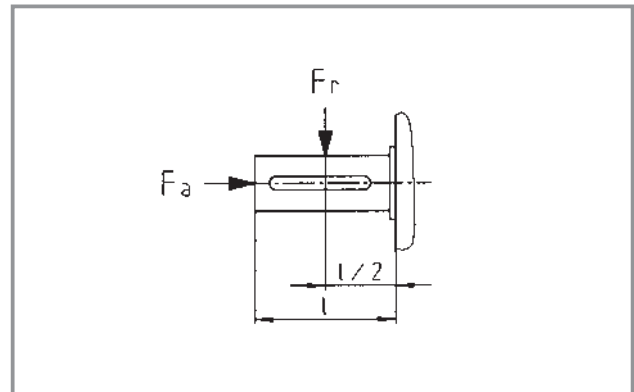
Selection table Type SSN31

Ratio i	Perm. axial load F_a [N]	Perm. radial load F_r [N]	$M_{max.}$ [Nm]	Efficiency	Gearbox	Weight [approx. kg]
5	300(VAL,VAR,DAR) 400(HAR)	200(VAL,VAR) 2x100(DAR)	14	0.85	SSN31	0.67(VAR) 0.80(VAL) 0.68(DAR) 0.70(HAR)
7			14	0.83		
10			14	0.77		
15			16	0.74		
20			15	0.69		
25			14	0.61		
30			15	0.59		
38			16	0.57		
50			13	0.46		
55			15	0.52		
75			11	0.36		
100			11	0.38		

Selection table Type SSN40

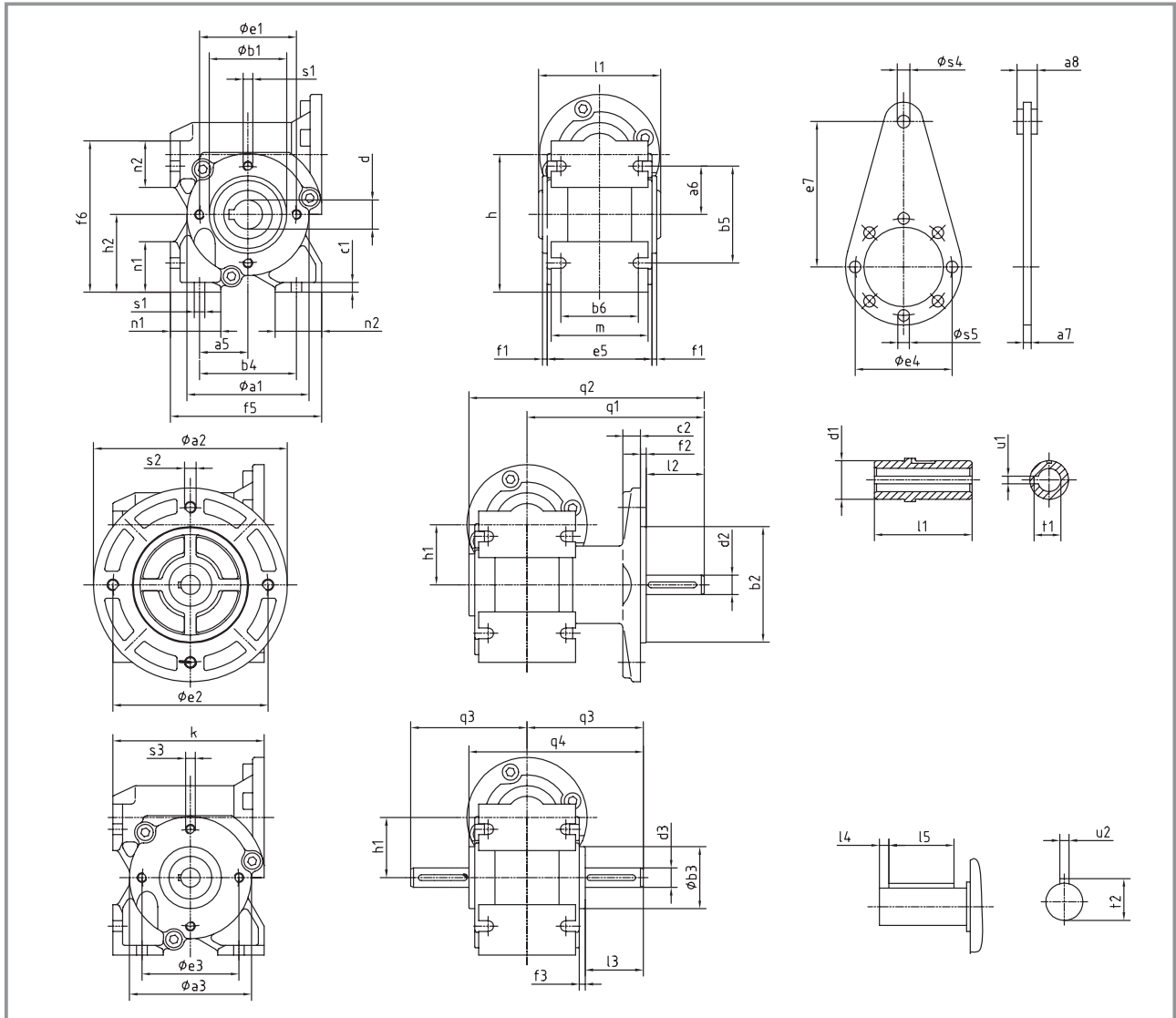
Ratio i	Perm. axial load F_a [N]	Perm. radial load F_r [N]	$M_{max.}$ [Nm]	Efficiency	Gearbox	Weight [approx. kg]
6.75	400	600(VAL,VAR) 2x300(DAR)	35	0.84	SSN40	1.5(HAR, VAR) 1.6(DAR) 1.8(VAL)
10			35	0.81		
15			33	0.74		
20			34	0.71		
25			29	0.64		
30			36	0.62		
40			34	0.56		
50			32	0.54		
60			23	0.38		
80			24	0.39		

Gearbox	Gearbox type	Position of system elements	
		Shaft	Flange
SSN25	VCL	3 5	3 5
	VCR	3 5	—
	DCR	8	—
SSN31	VAL	3 5	3 5
	VAR	3 5	—
	DAR	8	—
	HAR	—	—
SSN40	VAL	3 5	3 5
	VAR	3 5	—
	DAR	8	—
	HAR	—	—





Dimensions Type SSN



Type	a ₁	a ₂	a ₃	a ₅	a ₆	a ₇	a ₈	b ₁ h8	b ₂ j7	b ₃ h8	b ₄	b ₅	b ₆	c ₁	c ₂	d H7	d ₁	d ₂ h6	d ₃ h6	e ₁	e ₂	Weight approx. kg
SSN 31	63	100	63	25	25	4	4	40	60	32	50	50	40	5	9	15	25	10	10	50	80	0.7-0.8
SSN 31	63	120	63	25	25	4	4	40	80	32	50	50	40	5	9	15	25	12	12	50	100	0.7-0.8
SSN 40	77	140	77	30	30	4	14	50	95	44	60	60	50	6	10	20	30	15	15	65	115	1.5-1.8

Type	e ₃	e ₄	e ₅	e ₇	f ₁	f ₂	f ₃	f ₅	f ₆	h	h ₁	h ₂	k	l ₁	l ₂	l ₃	l ₄	l ₅	n ₁	n ₂	m	Weight approx. kg
SSN 31	50	50	54	75	2.5	3	3	78	78	71	31	40	78	63	30	30	4	25	26	24	50	0.7-0.8
SSN 31	50	50	54	75	2.5	3	3	78	78	71	31	40	78	63	40	40	4	28	26	24	50	0.7-0.8
SSN 40	65	65	76	85	2	3	3	90	90	88	40	48	96	83	50	43	4	36	30	24	59	1.5-1.8

Type	q ₁	q ₂	q ₃	q ₄	s ₁	s ₂	s ₃	s ₄	s ₅	t ₁	t ₂	u ₁	u ₂									Weight approx. kg
SSN 31	91.5	121.5	60	90	5.5	M6	M5	6.5	6	17.3	11.2	5	3									0.7-0.8
SSN 31	101.5	131.5	70	100	5.5	M6	M5	6.5	6	17.3	13.5	5	4									0.7-0.8
SSN 40	128	168	83	123	5.5	M8	M6	8	7	22.8	17	6	5									1.5-1.8

Dimensions in mm